

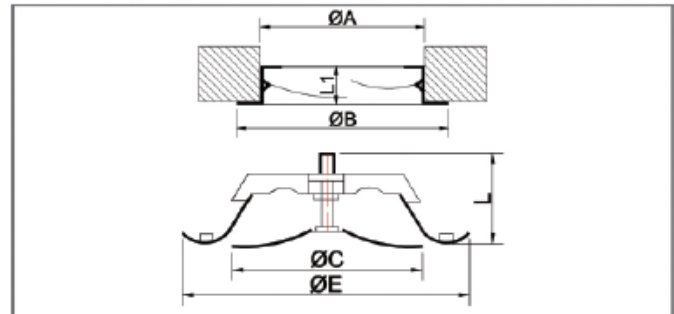
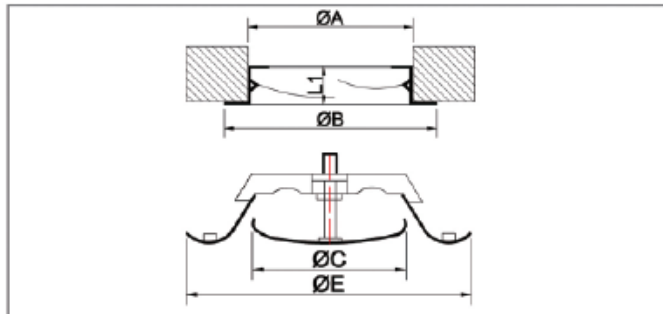
METAL DISC VALVE



DV-VE
Exhaust Valve



DV-VS
Supply Disc Valve



- * They are used mainly in bath rooms for exhaust or supply air.
- * They are suitable for both ventilation and air conditioning.
- * They get a low noise level even at relatively high velocities.
- * They are made of galvanized steel.
- * Mounting: by screw.
- * Finishing: White powder coating Ral9016, Ral9010, or customized color.

Size Table

DV-VE

Size	A	C	E
100	98	75	138
125	123	100	164
150	148	120	202
160	158	130	211
200	198	158	248

DV-VS

Size	A	C	E
100	98	75	138
125	123	100	164
150	148	120	202
160	158	130	211
200	198	158	248

Specifications data DV-VE

	Nominal Size (mm)					Air Flow, M3/H									
	80	100	125	150/160	200	M3/H	20	40	60	80	100	150	200	300	
Opening Distance (mm)	-9					Pa	90								
						NR	-								
	-6	-9				Pa	45	170							
						NR	-	20							
	-3	-6	-12			Pa	20	80	200	300					
						NR	-	12	25	28					
	0	-3			-20	Pa	10	50	120	200					
						NR	-	-	17	26					
	6		-6			Pa		30	70	120	200				
						NR		-	12	20	28				
	9	6				Pa		20	40	80	130				
						NR		-	-	15	22				
			0		15	Pa		15	30	60	80	200			
						NR		-	-	11	18	30			
		12	6			Pa		10	20	40	60	150			
						NR		-	-	-	13	27			
				0		Pa			15	25	40	90	170		
						NR			-	-	9	21	30		
			12	6		Pa				15	25	60	100	220	
						NR				-	-	15	25	31	
			12	0	Pa					15	30	60	150		
					NR					-	10	18	30		

Specifications data DV-VS

	Nominal Size (mm)					Air Flow, M3/H									
	80	100	125	150/160	200	M3/H	20	40	60	80	100	150	200	300	
Opening Distance (mm)	3					Pa	90	200							
						NR	30	40							
	0					Pa	50	120	200						
						NR	23	35	42						
	6		-3	-6	-6	Pa	30	75	130	200					
						NR	17	30	37	43					
	3					Pa	20	45	80	130					
						NR	-	25	32	138					
			0	-3	-3	Pa	13	30	60	85	200				
						NR	-	20	28	33	45				
	12		6			Pa	18	22	40	60	150				
						NR	-	15	24	30	42				
				0	0	Pa		15	30	45	100	200			
						NR		-	20	27	39	46			
	12					Pa		12	22	35	80	150			
						NR		-	18	23	35	43			
			6	6		Pa			15	25	60	100			
						NR			-	20	31	38			
			12		6	Pa				13	35	60	130		
						NR				-	23	32	43		
			12	12	Pa				5	20	35	80	150		
					NR				-	17	25	35	48		
				15	Pa					12	22	45	90		
					NR					-	21	32	49		
				20	Pa						13	29	45		
					NR						15	25	33		